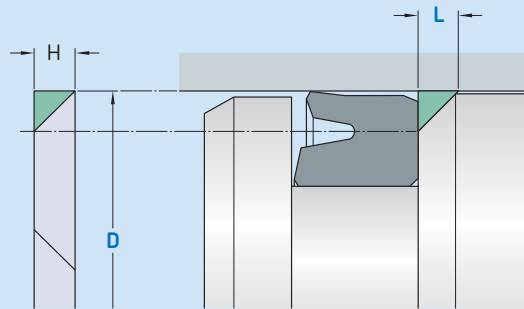


# ST13



Ordering dimensions in **blue**

Sealing material	TPU / Elastomers / PTFE	
Surface roughness	$R_{tmax}$	$R_a$
	m m	
Sliding surface	$\leq 2,5$	0,05–0,2
Bottom of groove	$\leq 6,3$	$\leq 1,6$
Groove face	$\leq 15$	$\leq 3$

Bearing area: 50–95% and a cutting depth of 0,5  $R_z$  based on  $C_{ref} = 0\%$

### Standard dimensions

Minimum nominal inside diameter  
 $d \geq 4,5$  mm.

Profile size, surface data and tolerances are the result of a combination of the relevant application specific sealing material. Standard version: cutting gap 0, cut 45°.

### Ordering example

Profile  
D x L [mm]  
Backup ring

Backup ring ST13  
100 x 13  
SKF Ecotal

## Operating parameters

Material Back-up ring	Temperature	
	from	to
–	°C	
■ SKF Ecoflon 2	–200	+260
■ SKF Ecomid <sup>1)</sup>	–40	+100
■ SKF Ecopaek	–100	+260
■ SKF Ecotal <sup>1)</sup>	–50	+100

IMPORTANT NOTE: The stated operating conditions represent general indications. It is recommended not to use all maximum values simultaneously.

<sup>1)</sup> D ≤ 260 mm → SKF Ecotal, D > 260 mm → SKF Ecomid.