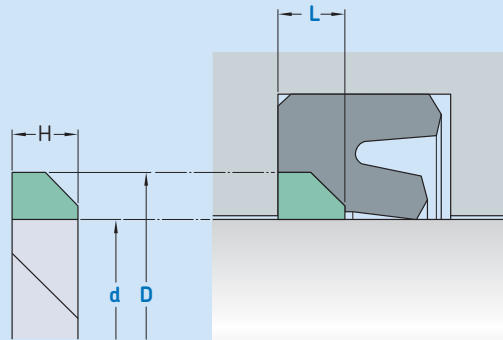


ST11



Ordering dimensions in **blue**

Sealing material Surface roughness	TPU / Elastomers		PTFE	
	R_{tmax}	R_a	R_{tmax}	R_a
	mm		mm	
Sliding surface	$\leq 2,5$	0,05–0,3	≤ 2	0,05–0,2
Bottom of groove	$\leq 6,3$	$\leq 1,6$	$\leq 6,3$	$\leq 1,6$
Groove face	≤ 15	≤ 3	≤ 15	≤ 3

Bearing area: 50–95% and a cutting depth of 0,5 R_z based on $C_{ref} = 0\%$

Standard dimensions

Minimum nominal inside diameter
 $d \geq 4,5$ mm.

Profile size, surface data and tolerances are the result of a combination of the relevant application specific sealing material. Standard version: cutting gap 0, cut 45°.

Ordering example

Profile
 $d \times D \times L$ [mm]
Backup ring

Backup ring **ST11**
100 x 120 x 13
SKF Ecotal

Operating parameters

Material Back-up ring	Temperature	
	from	to
–	°C	
■ SKF Ecoflon 2	–200	+260
■ SKF Ecomid ¹⁾	–40	+100
■ SKF Ecopaek	–100	+260
■ SKF Ecotal ¹⁾	–50	+100

IMPORTANT NOTE: The stated operating conditions represent general indications. It is recommended not to use all maximum values simultaneously.

¹⁾ D ≤ 260 mm → SKF Ecotal, D > 260 mm → SKF Ecomid.