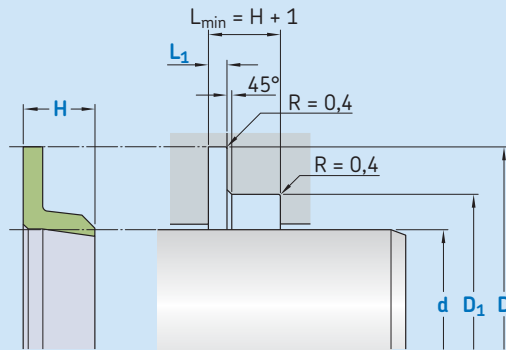


S16-A



Ordering dimensions in **blue**

Surface roughness	R_{tmax}	R_a
Sliding surface	$\leq 2,5 \mu m$	0,05–0,3 μm
Bottom of groove	$\leq 6,3 \mu m$	$\leq 1,6 \mu m$
Groove face	$\leq 15 \mu m$	$\leq 3 \mu m$

Bearing area: 50–95% and a cutting depth of 0,5 R_z , based on $C_{ref} = 0\%$

Standard dimensions

Minimum nominal inside diameter
 $d \geq 6 \text{ mm}$.

This is not a standard profile and serves as a replacement for an existing installation space. New constructions should use standard profiles.

Ordering example

Profile
 $d \times D/D_1 \times L_1/H$ [mm]
Sealing material

Rod Seal S16-A
100 x 150/120 x 5/25
ECOPUR

Operating parameters

Material Seal	Temperature		Speed ¹⁾ linear max	Pressure linear ²⁾ max
	from	to		
–	°C		m/s	bar (MPa)
■ ECOPUR	–30			
■ ECOPUR LD	–35		0,5	
■ G-ECOPUR	–30	+110		
■ H-ECOPUR	–20			
■ S-ECOPUR			0,7	
■ T-ECOPUR	–50			160 (16)
■ SKF Ecoflas	–10	+200		
■ SKF Ecorubber-H	–25	+150	0,5	
■ SKF Ecorubber-1	–30	+100		
■ SKF Ecorubber-2	–20	+200		
■ SKF Ecorubber-3	–50	+150		

IMPORTANT NOTE: The stated operating conditions represent general indications. It is recommended not to use all maximum values simultaneously.

¹⁾ Surface speed limit values are valid only in the presence of a lubrication film.

²⁾ Pressure ratings depend on the size of the extrusion gap.