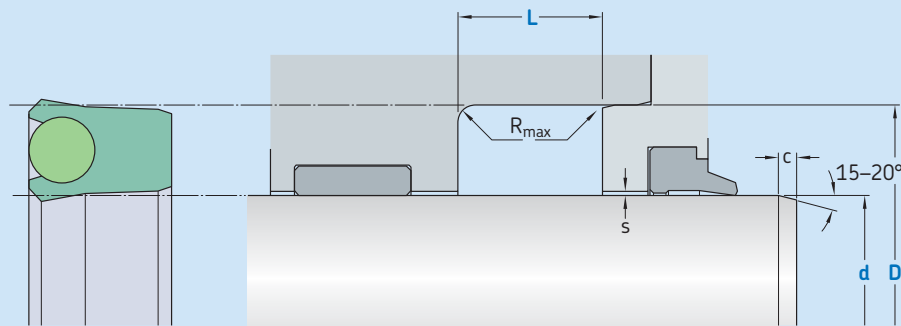


S07-F



Ordering dimensions in **blue**

Surface roughness	R_{tmax}	R_a
Sliding surface	$\leq 2 \mu m$	$0,05-0,2 \mu m$
Bottom of groove	$\leq 6,3 \mu m$	$\leq 1,6 \mu m$
Groove face	$\leq 15 \mu m$	$\leq 3 \mu m$

Bearing area: 50–95% and a cutting depth of $0,5 R_z$ based on $C_{ref} = 0\%$

Standard dimensions						Maximal radial extrusion gap			
d	f8	D	L	R_{max}	c	s^*			
over	incl.	H10	+ 0,2			20 bar	100 bar	200 bar	400 bar
mm						mm			
5	25	d + 8	6,3	0,4	3,5	0,40	0,20	0,15	0,09
25	50	d + 10	8,0	0,4	4,0	0,45	0,22	0,17	0,10
50	150	d + 15	10,0	0,4	5,0	0,75	0,40	0,33	0,18
150	300	d + 20	14,0	0,4	6,0	0,87	0,48	0,38	0,20
300	500	d + 25	17,0	0,4	8,5	0,87	0,48	0,38	0,20
500	600	d + 30	25,0	0,4	10,0	0,87	0,48	0,38	0,20

* Extrusion gap values shown above are valid for a temperature of 70 °C, higher temperatures require lower values.

Ordering example

Profile
d x D x L [mm]
Sealing material / Energizer

Rod seal S07-F
100 x 115 x 10
SKF Ecoflon 3 / FPM75

Operating parameters

Material Seal	Energizer	Temperature		Speed ¹⁾	Pressure ²⁾
		from	to	max	max
		°C		m/s	bar (MPa)
SKF Ecoflon 1	MVQ70	-55	+200		200 (20)
	NBR70	-30	+100		
SKF Ecoflon 2	EPDM	-50	+150		400 (40)
	FPM75	-20	+200		
SKF Ecoflon 3	MVQ70	-55	+200	1,0	200 (20)
SKF Ecoflon 4		NBR70	-30		
SKF Ecowear 1000	MVQ70	-55	+90	0,5	200 (20)
	NBR70	-30			

IMPORTANT NOTE: The stated operating conditions represent general indications. It is recommended not to use all maximum values simultaneously.

¹⁾ Surface speed limit values are valid only in the presence of a lubrication film.

²⁾ Pressure ratings depend on the size of the extrusion gap.