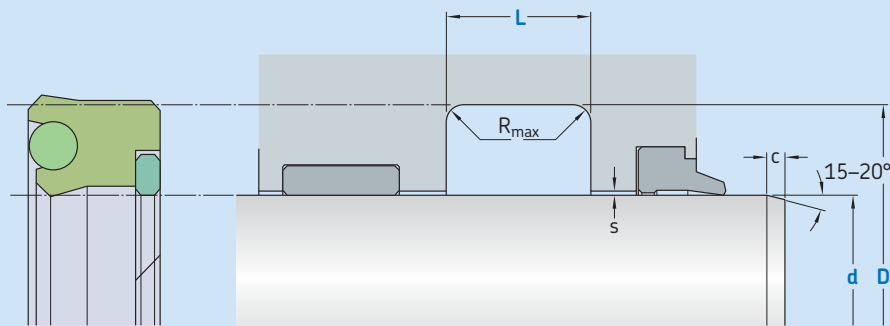


# S04-P



Ordering dimensions in **blue**

Bearing area: 50–95% and a cutting depth of 0,5  $R_z$  based on  $C_{ref} = 0\%$

Surface roughness	$R_{tmax}$	$R_a$
<b>Sliding surface</b>	$\leq 2,5 \mu m$	$0,05-0,3 \mu m$
<b>Bottom of groove</b>	$\leq 6,3 \mu m$	$\leq 1,6 \mu m$
<b>Groove face</b>	$\leq 15 \mu m$	$\leq 3 \mu m$

Bearing area: 50–95% and a cutting depth of 0,5  $R_z$  based on  $C_{ref} = 0\%$

Standard dimensions						Maximal radial extrusion gap			
d	f8	D	L	$R_{max}$	c	$s^*$			
over	incl.	H10	+ 0,2			20 bar	100 bar	400 bar	700 bar
mm						mm			
<b>22</b>	<b>25</b>	d + 8	6,3	0,4	3,5	0,80	0,80	0,30	0,04
<b>25</b>	<b>50</b>	d + 10	8,0	0,4	4,0	1,00	1,00	0,37	0,04
<b>50</b>	<b>150</b>	d + 15	10,0	0,4	5,0	1,50	1,47	0,46	0,05
<b>150</b>	<b>300</b>	d + 20	14,0	0,4	6,0	2,00	1,77	0,54	0,06
<b>300</b>	<b>500</b>	d + 25	17,0	0,4	8,5	2,50	2,06	0,62	0,06
<b>500</b>	<b>600</b>	d + 30	25,0	0,4	10,0	3,00	2,43	0,76	0,06
<b>600</b>	<b>1000</b>	d + 40	32,0	0,4	13,0	3,00	2,43	0,76	<sup>2)</sup>
<b>1000</b>	<b>1600</b>	d + 50	40,0	0,4	15,0	3,00	2,43	0,76	<sup>2)</sup>

<sup>1)</sup> Extrusion gap values shown above are valid for a temperature of 70 °C, higher temperatures require lower values.

<sup>2)</sup> Please contact SKF.

## Ordering example

Profile  
d x D x L [mm]  
Sealing material / Energizer / Backup ring

Rod seal S04-P  
**100 x 115 x 10**  
ECOPUR / NBR70 / SKF Ecotal

## Operating parameters

Material Seal	Energizer	Back-up ring	Temperature		Speed <sup>1)</sup>	Pressure <sup>2)</sup>
			from	to	max	max
			°C		m/s	bar (MPa)
■ ECOPUR	NBR70	■ SKF Ecotal <sup>3)</sup> ■ SKF Ecomid <sup>3)</sup>	-30	+100	0,5	700 (70)
■ ECOPUR LD		■ SKF Ecomid				
■ G-ECOPUR						
■ H-ECOPUR						
■ S-ECOPUR		■ SKF Ecotal <sup>3)</sup> ■ SKF Ecomid <sup>3)</sup>	-20	0,7		
■ T-ECOPUR			-40	0,5		

IMPORTANT NOTE: The stated operating conditions represent general indications. It is recommended not to use all maximum values simultaneously.

<sup>1)</sup> Surface speed limit values are valid only in the presence of a lubrication film.

<sup>2)</sup> Pressure ratings depend on the size of the extrusion gap.

<sup>3)</sup> D ≤ 260 mm → SKF Ecotal, D > 260 mm → SKF Ecomid.