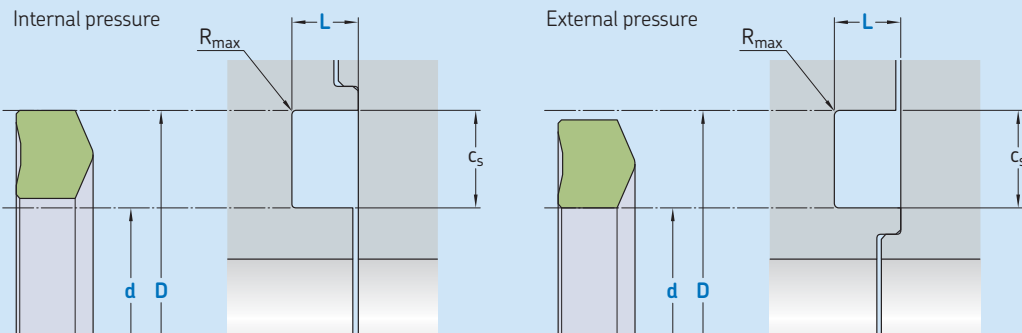


# R35-A



Ordering dimensions in **blue**

Surface roughness	$R_{tmax}$	$R_a$
<b>Sliding surface</b>	$\leq 2,5 \mu m$	$0,1-0,5 \mu m$
<b>Bottom of groove</b>	$\leq 6,3 \mu m$	$\leq 1,6 \mu m$
<b>Groove face</b>	$\leq 15 \mu m$	$\leq 3 \mu m$

Bearing area: 50–95% and a cutting depth of  $0,5 R_z$ , based on  $C_{ref} = 0\%$

### Standard dimensions

Corresponding O-ring cord diameter  
OD  
AS 568A<sup>1)</sup> ISO 3601<sup>2)</sup>

mm

	$C_s$	L	R
<b>1,78</b>	<b>1,8</b>	2	1,4
<b>2,62</b>	<b>2,65</b>	3	2,25
<b>3,53</b>	<b>3,55</b>	4	3,1
<b>5,33</b>	<b>5,3</b>	6	4,75
<b>6,99</b>	<b>7</b>	8	6,2

<sup>1)</sup> American standard

<sup>2)</sup> DIN 3771

Minimum nominal inside diameter  $d \geq 5$  mm.  
Standard definition for this profile is inside pressure.

### Ordering example

Profile  
d x D x L [mm]  
Sealing material

Rotary seal R35-A  
100 x 112 x 4,75  
ECOPUR

## Operating parameters

Material Seal	Temperature		Speed	Pressure
	from	to	max	max
–	°C		m/s	bar (MPa)
■ ECOPUR	–30			
■ ECOPUR LD	–35			
■ G-ECOPUR	–30	+110		800 (80)
■ H-ECOPUR	–20			
■ S-ECOPUR				
■ T-ECOPUR	–50		only recommended for static application	
■ SKF Ecoflas	–10	+200		
■ SKF Ecorubber-H	–25	+150		
■ SKF Ecorubber-1	–30	+100		
■ SKF Ecorubber-2	–20	+200		250 (25)
■ SKF Ecorubber-3	–50	+150		
■ SKF Ecosil	–60	+200		

IMPORTANT NOTE: The stated operating conditions represent general indications. It is recommended not to use all maximum values simultaneously.