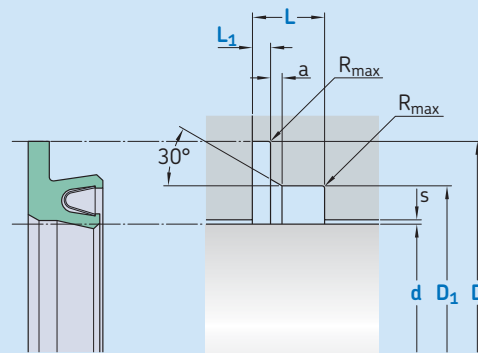


R19-F



Ordering dimensions in **blue**

Surface roughness	R_{tmax}	R_a
Sliding surface	$\leq 2 \mu\text{m}$	$0,05\text{--}0,3 \mu\text{m}$
Bottom of groove	$\leq 6,3 \mu\text{m}$	$\leq 1,6 \mu\text{m}$
Groove face	$\leq 15 \mu\text{m}$	$\leq 3 \mu\text{m}$

Hardness: Min 45 HRC (55 HRC recommended), hardened depth > 0,3 mm.
Bearing area: 50–95% and a cutting depth of 0,5 R_z based on $C_{ref} = 0\%$

Standard dimensions							Maximal radial extrusion gap			
d	D	D_1	a	L	L_1	R_{max}	s^*			
f8	H10	H9		+ 0,2			20 bar	100 bar	150 bar	
over	incl.						mm			
mm							mm			
5	20	d + 9,0	d + 5,0	0,8	3,6	0,85 -0,10	0,4	0,25	0,15	0,10
20	40	d + 12,5	d + 7,0	1,2	4,8	1,35 -0,10	0,4	0,35	0,20	0,15
40	400	d + 17,5	d + 10,5	1,4	7,1	1,80 -0,15	0,4	0,50	0,25	0,20
400		d + 22,0	d + 14,0	1,6	9,5	2,80 -0,20	0,4	0,60	0,30	0,25





* Extrusion gap values shown above are valid for a temperature of 80 °C, higher temperatures require lower values.

Ordering example

Profile
d x D/ D_1 x L/ L_1 [mm]
Sealing material / Spring

Rotary seal R19-F
100 x 117,5/110,5 x 7,1/1,8
SKF Ecoflon 4 / 1.4310

Operating parameters

Material Seal	Spring	Temperature		Speed ¹⁾	Pressure ²⁾
		from	to	max	max
–		°C		m/s	bar (MPa)
 SKF Ecoflon 1					
 SKF Ecoflon 2	1.4310 ³⁾				
 SKF Ecoflon 3	2.4711 ⁴⁾	–200	+260	2	150 (15)
 SKF Ecoflon 4					

IMPORTANT NOTE: The stated operating conditions represent general indications. It is recommended not to use all maximum values simultaneously.

¹⁾ Surface speed limit values are valid only in the presence of a lubrication film.

²⁾ Pressure ratings depend on the size of the extrusion gap.

³⁾ Available for standard and x00 spring versions.

⁴⁾ Available for x00 spring versions.