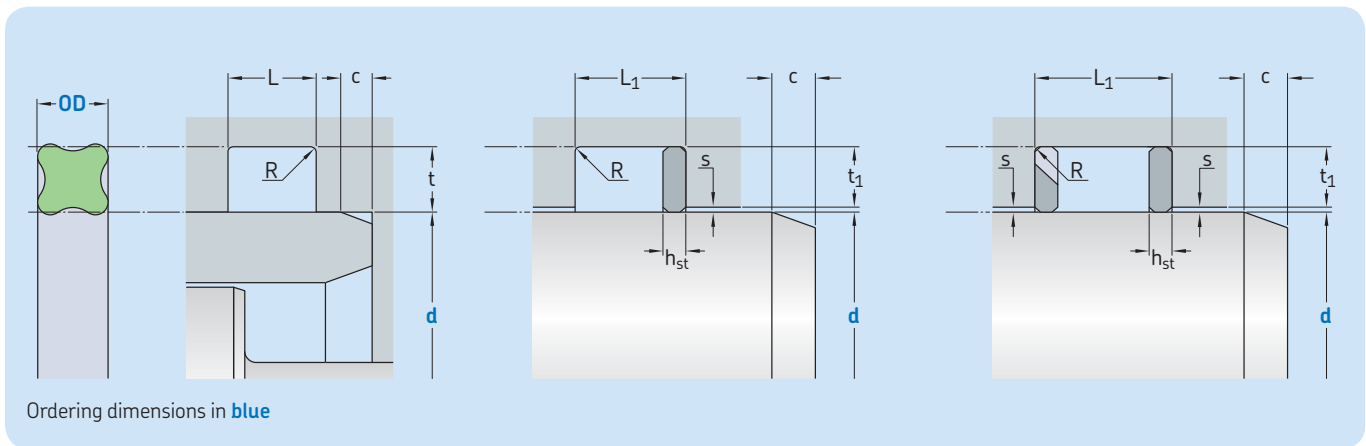


R16



Ordering dimensions in **blue**

| Pressure Surface roughness | Constant | | Pulsating | |
|--------------------------------|------------|-------|------------|-------|
| | R_{tmax} | R_a | R_{tmax} | R_a |
| | m m | | m m | |
| Sliding surface ¹⁾ | 6,3 | 1,6 | 4 | 0,8 |
| Bottom of groove ²⁾ | 12,5 | 3,2 | 6,3 | 1,6 |
| Groove face | 12,5 | 3,2 | 6,3 | 1,6 |

¹⁾ R_{tmax} / R_a for dynamic application: 1,6 $\mu\text{m} / 0,4 \mu\text{m}$
²⁾ R_{tmax} / R_a for dynamic application: 6,3 $\mu\text{m} / 1,6 \mu\text{m}$
 Bearing area: 50–95% and a cutting depth of 0,5 R_z based on $C_{ref} = 0\%$

| Standard dimensions | | | | | | | | | | | |
|---------------------|--------------------|------|----------------|----------------|----------------|-----|-----------------|-----|-----|------|--|
| OD | t | L | t ₁ | L ₁ | L ₂ | R | h _{st} | c | s | | |
| AS | ISO | | | | | | | | | | |
| 568A ¹⁾ | 3601 ²⁾ | | | | | | | | | | |
| mm | | | | | | | | | | | |
| 2,62 | 2,65 | 2,25 | 3 | 2,35 | 4,4 | 5,8 | 0,3 | 1,4 | 3,5 | 0,08 | |
| 3,53 | 3,55 | 3,1 | 4 | 3,21 | 5,4 | 6,8 | 0,4 | 1,4 | 4 | 0,08 | |
| 5,33 | 5,3 | 4,75 | 6 | 4,89 | 7,7 | 9,4 | 0,4 | 1,7 | 5 | 0,10 | |
| 6,99 | 7 | 6,2 | 8 | 6,40 | 10,5 | 13 | 0,6 | 2,5 | 6 | 0,10 | |

¹⁾ American standard
²⁾ DIN 3771

Ordering example

Profile
 d x OD [mm]
 Sealing material

Rotary seal R16
 100 x 3,55
 SKF Ecorubber-1

Operating parameters

| Material Seal | Temperature | | Speed max | Pressure max |
|-------------------|-------------|------|--------------------------------------------------|-----------------|
| | from | to | | |
| – | °C | | m/s | bar (MPa) |
| ■ ECOPUR | –30 | | | |
| ■ ECOPUR LD | | | | |
| ■ G-ECOPUR | | +110 | | 400 (40) |
| ■ H-ECOPUR | –20 | | | |
| ■ S-ECOPUR | | | only recommended for static application | |
| ■ T-ECOPUR | –50 | | | |
| ■ SKF Ecoflas | –10 | +200 | | |
| ■ SKF Ecorubber-H | –25 | +150 | | |
| ■ SKF Ecorubber-1 | –30 | +100 | | 50 (5) |
| ■ SKF Ecorubber-2 | –20 | +200 | | |
| ■ SKF Ecorubber-3 | –50 | +150 | | |

IMPORTANT NOTE: The stated operating conditions represent general indications. It is recommended not to use all maximum values simultaneously.