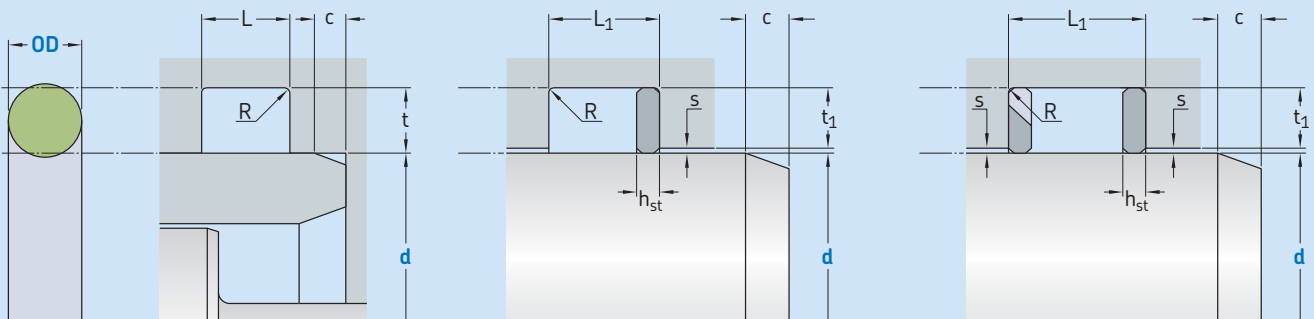


R13



Ordering dimensions in **blue**

Pressure Surface roughness	Constant		Pulsating	
	R_{tmax}	R_a	R_{tmax}	R_a
	µm		µm	
Sliding surface¹⁾	6,3	1,6	3,2	0,8
Bottom of groove²⁾	12,5	3,2	6,3	1,6
Groove face	12,5	3,2	12,5	3,2

¹⁾ R_{tmax} / R_a for dynamic application: 1,6 µm / 0,4 µm
²⁾ R_{tmax} / R_a for dynamic application: 6,3 µm / 1,6 µm
 Bearing area: 50–95% and a cutting depth of 0,5 R_z based on $C_{ref} = 0\%$

Standard dimensions										
OD	t	L	t ₁	L ₁	L ₂	R	h _{st}	c	s	
AS	ISO									
568A ¹⁾	3601 ²⁾									
mm										
1,78	1,8	1,35	2,5	1,58	3,5	4,5	0,3	1	3	f7/H8
2,62	2,65	2,18	3,5	2,42	5,0	6,5	0,3	1,5	3,5	f7/H8
3,53	3,55	3	4,4	3,70	5,9	7,4	0,5	1,5	4	f7/H8
5,33	5,3	4,5	6,7	5,60	8,4	10,1	0,6	1,7	5	f7/H8
6,99	7	5,94	8,8	7,37	10,8	12,8	0,8	2	6	f7/H8
10	10	8,5	12,5	10,5	15,0	17,5	1	2,5	10	f7/H8
12	12	10,2	15,5	12,85	18,5	21,5	1	3	12	f7/H8
15	15	12,75	19	15,88	22	25	1	3	15	f7/H8

¹⁾ American standard
²⁾ DIN 3771

Ordering example

Profile
 d x OD [mm]
 Sealing material

Rotary seal R13
100 x 3,53
 ECOPUR

Operating parameters

Material Seal	Temperature		Speed ¹⁾	Pressure ²⁾
	from	to	max	max
–	°C		m/s	bar (MPa)
■ ECOPUR	–30			
■ ECOPUR LD	–35			
■ G-ECOPUR	–30	+110		600 (60)
■ H-ECOPUR	–20			
■ S-ECOPUR				
■ T-ECOPUR	–50		only recommended for static application	
■ SKF Ecosil	–60	+200		
■ SKF Ecorubber-H	–25	+150		
■ SKF Ecorubber-1	–30	+100		160 (16)
■ SKF Ecorubber-2	–20	+200		
■ SKF Ecorubber-3	–50	+150		
■ SKF Ecoflon 1	–200	+260		

IMPORTANT NOTE: The stated operating conditions represent general indications. It is recommended not to use all maximum values simultaneously.

¹⁾ Surface speed limit values are valid only in the presence of a lubrication film.

²⁾ We recommend the use of backup rings for ECOPUR above 400 bar and for SKF Ecorubber above 100 bar.