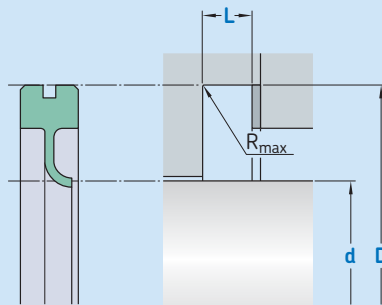


R11-F



Ordering dimensions in **blue**

Surface roughness	R_{tmax}	R_a
Sliding surface	$\leq 2 \mu m$	0,05–0,3 μm
Bottom of groove	$\leq 6,3 \mu m$	$\leq 1,6 \mu m$
Groove face	$\leq 15 \mu m$	$\leq 3 \mu m$

Bearing area: 50–95% and a cutting depth of 0,5 R_z based on $C_{ref} = 0\%$

Standard dimensions

d	f8	D	L_{min}	R_{max}
over	incl.	H10		
mm				
50	100	d + 20	4 -0,05	0,4
100	150	d + 25	5 -0,05	0,4
150		d + 30	6 -0,10	0,4

Ordering example

Profile
d x D x L [mm]
Sealing material

Rotary seal R11-F
100 x 120 x 4
SKF Ecoflon 4

Operating parameters

Material Seal	Temperature		Speed ¹⁾	Pressure
	from	to	max	max
–	°C		m/s	bar (MPa)
■ SKF Ecoflon 2				
■ SKF Ecoflon 3	–200	+260	20	5 (0,5)
■ SKF Ecoflon 4				

IMPORTANT NOTE: The stated operating conditions represent general indications. It is recommended not to use all maximum values simultaneously.

¹⁾ Surface speed limit values are valid only in the presence of a lubrication film.