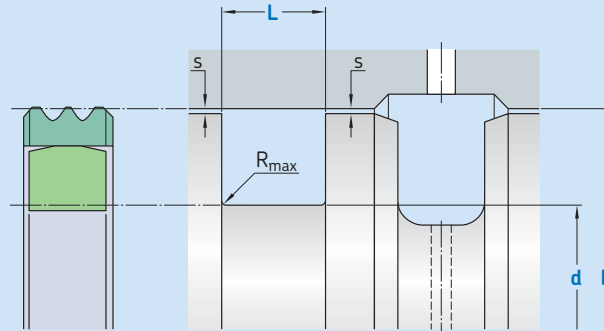


# R10-FS



Ordering dimensions in **blue**

Surface roughness	$R_{tmax}$	$R_a$
<b>Sliding surface</b>	$\leq 2 \mu m$	$0,05-0,3 \mu m$
<b>Bottom of groove</b>	$\leq 6,3 \mu m$	$\leq 1,6 \mu m$
<b>Groove face</b>	$\leq 15 \mu m$	$\leq 3 \mu m$

Hardness: On the surface min 55 HRC, hardened depth  $> 0,3 \text{ mm}$ .  
Bearing area: 50–95% and a cutting depth of  $0,5 R_z$  based on  $C_{ref} = 0\%$

Standard dimensions					Maximal radial extrusion gap		
D	d	L	$R_{max}$	$s^*$			
H8	h8	+ 0,2		100 bar	200 bar	350 bar	
over	incl.			mm			
mm				mm			
<b>15</b>	<b>50</b>	D - 10	5	0,25	0,2	0,10	
<b>50</b>	<b>60</b>	D - 15	7,5	0,3	0,25	0,10	
<b>60</b>	<b>200</b>	D - 20	10	0,3	0,25	0,15	
<b>200</b>	<b>300</b>	D - 25	12,5	0,3	0,25	0,15	
<b>300</b>	<b>530</b>	D - 30	15	0,45	0,3	0,2	
<b>530</b>	<b>650</b>	D - 35	17,5	0,45	0,3	0,2	
<b>650</b>	<b>1 000</b>	D - 40	20	0,5	0,35	0,25	

\* Extrusion gap values shown above are valid for a temperature of  $80 \text{ }^\circ\text{C}$ , higher temperatures require lower values.

## Ordering example

Profile  
D x d x L [mm]  
Sealing material / Energizer

Rotary seal R10-FS  
100 x 80 x 10  
SKF Ecoflon 4 / SKF Ecorubber-1

## Operating parameters

Material Seal	Energizer	Temperature		Speed <sup>1)</sup>	Pressure <sup>2)</sup>
		from	to	max	max
		°C		m/s	bar (MPa)
–					
■ SKF Ecoflon 4	■ SKF Ecorubber-1	–30	+100	0,4	350 (35)
	■ SKF Ecorubber-2	–20	+200		

IMPORTANT NOTE: The stated operating conditions represent general indications. It is recommended not to use all maximum values simultaneously.

<sup>1)</sup> Surface speed limit values are valid only in the presence of a lubrication film.

<sup>2)</sup> Pressure ratings depend on the size of the extrusion gap.