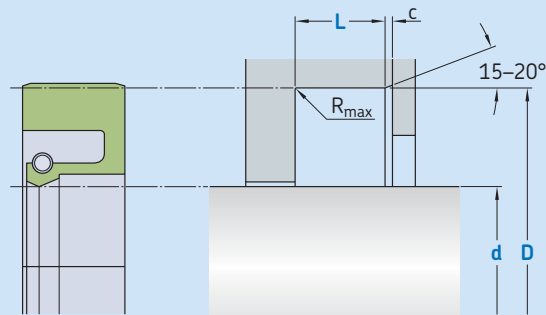


R01-AS



Ordering dimensions in **blue**

Surface roughness	R _{tmax}	R _a
Sliding surface	≤ 2,5 μm	0,1–0,5 μm
Bottom of groove	≤ 6,3 μm	≤ 1,6 μm
Groove face	≤ 15 μm	≤ 3 μm

Hardness: Min 45 HRC (55 HRC recommended), hardened depth > 0,3 mm.
Bearing area: 50–95% and a cutting depth of 0,5 R_z based on C_{ref} = 0%

Standard dimensions

d	h11	d	h11	D	L	c	R _{max}
Rotating application	incl.	Pivoting application	incl.	H8	-0,2		
mm							
5	70	5	35	d + 20	8	1,5	0,4
70	120	35	60	d + 20	10	1,5	0,4
120	240	60	120	d + 30	12	1,8	0,8
240	1 120	120	560	d + 40	15	3	0,8
1 120	1 600	560	800	d + 50	20	3,3	0,8
1 600		800	2 220	d + 60	25	3,3	0,8

Ordering example

Profile
d x D x L [mm]
Sealing material / Spring

Rotary seal R01-AS
100 x 120 x 10
ECOPUR / 1.4310

Operating parameters

Material Seal	Spring	Temperature		Speed ^{1) 2) 3)}	Pressure
		from	to	max	max
–		°C		m/s	bar (MPa)
■ ECOPUR	1.4310	–30			
■ ECOPUR LD		–35			
■ G-ECOPUR		–30	+110	5	
■ H-ECOPUR		–20			
■ S-ECOPUR					0,5 (0,05)
■ T-ECOPUR		–50			
■ SKF Ecoflas		–10	+200		
■ SKF Ecorubber-H		–25	+150	10	
■ SKF Ecorubber-1		–30	+100		
■ SKF Ecorubber-2		–20	+200	15	
■ SKF Ecorubber-3		–50	+150	10	0,2 (0,02)
■ SKF Ecosil		–60	+200	5	

IMPORTANT NOTE: The stated operating conditions represent general indications. It is recommended not to use all maximum values simultaneously.

¹⁾ Surface speed limit values are valid only in the presence of a lubrication film.

²⁾ Depending on shaft diameter

³⁾ Half speed value for greased applications.