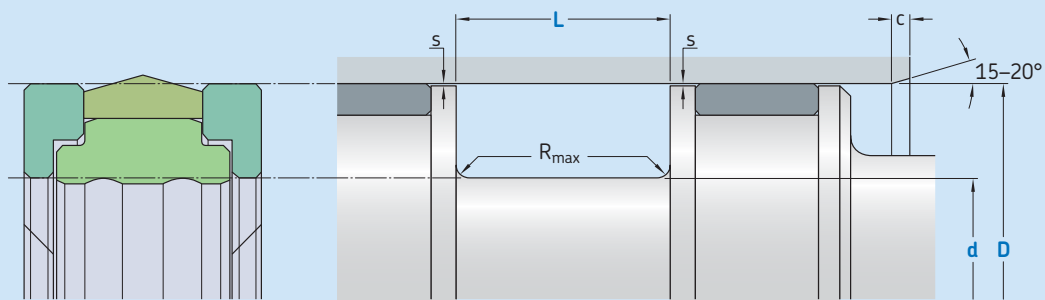


# K23-H



Ordering dimensions in **blue**

Surface roughness	$R_{tmax}$	$R_a$
<b>Sliding surface</b>	$\leq 2,5 \mu m$	$0,05-0,2 \mu m$
<b>Bottom of groove</b>	$\leq 6,3 \mu m$	$\leq 1,6 \mu m$
<b>Groove face</b>	$\leq 15 \mu m$	$\leq 3 \mu m$

Bearing area: 50–95% and a cutting depth of  $0,5 R_z$  based on  $C_{ref} = 0\%$

### Standard dimensions

D	H9	d	L	$R_{max}$	c	$s^*$
over	incl.	h9	+ 0,2			
mm						
<b>20</b>	<b>50</b>	D - 10	12,5	0,4	4	0,4
<b>50</b>	<b>80</b>	D - 15	20	0,4	5	0,4
<b>80</b>	<b>150</b>	D - 20	25	0,4	6	0,4
<b>150</b>	<b>400</b>	D - 25	32	0,4	8,5	0,4
<b>400</b>	<b>600</b>	D - 30	36	0,4	10	0,4

\* Extrusion gap values shown above are valid for a temperature of 70 °C, higher temperatures require lower values.

### Ordering example

Profile  
D x d x L [mm]  
Sealing material / Energizer / Backup ring

Piston seal K23-H  
100 x 80 x 25  
ECOPUR / SKF Ecorubber-1 / SKF Ecotal

Operating parameters

Material Seal	Energizer	Back-up ring	Temperature		Speed <sup>1)</sup>	Pressure <sup>2)</sup>
			from	to	max	max
			°C		m/s	bar (MPa)
■ ECOPUR			-30		0,3	
■ H-ECOPUR	■ SKF Ecorubber-1	■ SKF Ecota <sup>3)</sup>	-20	+100	0,4	1 500 (150)
■ S-ECOPUR		■ SKF Ecomid <sup>3)</sup>			0,3	
■ T-ECOPUR	■ SKF Ecosil		-50		0,3	

IMPORTANT NOTE: The stated operating conditions represent general indications. It is recommended not to use all maximum values simultaneously.

<sup>1)</sup> Surface speed limit values are valid only in the presence of a lubrication film.

<sup>2)</sup> Pressure ratings depend on the size of the extrusion gap.

<sup>3)</sup> D ≤ 260 mm → SKF Ecotal, D > 260 mm → SKF Ecomid.