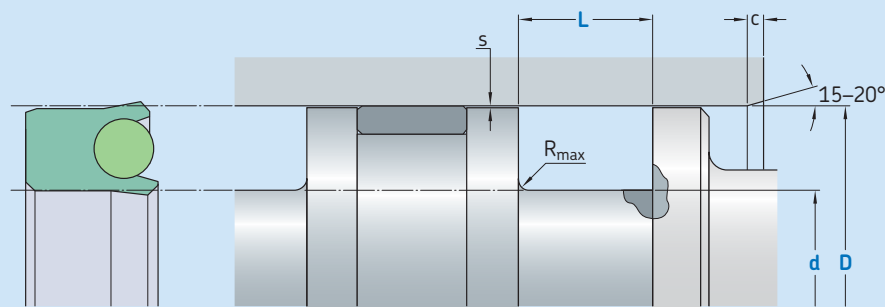


K03-F



Ordering dimensions in **blue**

Surface roughness	R_{tmax}	R_a
Sliding surface	$\leq 2 \mu\text{m}$	0,05–0,2 μm
Bottom of groove	$\leq 6,3 \mu\text{m}$	$\leq 1,6 \mu\text{m}$
Groove face	$\leq 15 \mu\text{m}$	$\leq 3 \mu\text{m}$

Bearing area: 50–95% and a cutting depth of 0,5 R_z based on $C_{ref} = 0\%$

Standard dimensions						Maximal radial extrusion gap			
D	H9	d	L	R_{max}	c	s^*			
over	incl.	h10	+ 0,2			20 bar	100 bar	200 bar	400 bar
mm						mm			
13	25	D – 8	6,4	0,4	3,5	0,40	0,20	0,15	0,09
25	50	D – 10	8,5	0,4	4,0	0,45	0,22	0,17	0,10
50	75	D – 12	10,0	0,4	4,5	0,60	0,36	0,25	0,14
75	150	D – 15	12,3	0,4	5,0	0,75	0,40	0,33	0,18
150	300	D – 20	16,0	0,4	6	0,87	0,48	0,38	0,20
300	500	D – 25	19,8	0,4	8,5	0,87	0,48	0,38	0,20
500	600	D – 30	24,5	0,4	10,0	0,87	0,48	0,38	0,20

* Extrusion gap values shown above are valid for a temperature of 70 °C, higher temperatures require lower values.

Ordering example

Profile
D x d x L [mm]
Sealing material / Backup ring

Piston seal K03-F
100 x 85 x 12,3
SKF Ecoflon 3 / FPM75

Operating parameters

Material Seal	Back-up ring	Temperature		Speed ¹⁾	Pressure ²⁾
		from	to	max	max
		°C		m/s	bar (MPa)
■ SKF Ecoflon 1	MVQ70	-55	+200	1,0	200 (20)
	NBR70	-30	+100		
■ SKF Ecoflon 2	EPDM70	-50	+150	0,5	400 (40)
	FPM75	-20	+200		
■ SKF Ecoflon 3	MVQ70	-55	+200	0,5	200 (20)
	NBR70	-30	+100		
■ SKF Ecoflon 4	MVQ70	-55	+90	0,5	200 (20)
	NBR70	-30	+90		

IMPORTANT NOTE: The stated operating conditions represent general indications. It is recommended not to use all maximum values simultaneously.

¹⁾ Surface speed limit values are valid only in the presence of a lubrication film.

²⁾ Pressure ratings depend on the size of the extrusion gap.