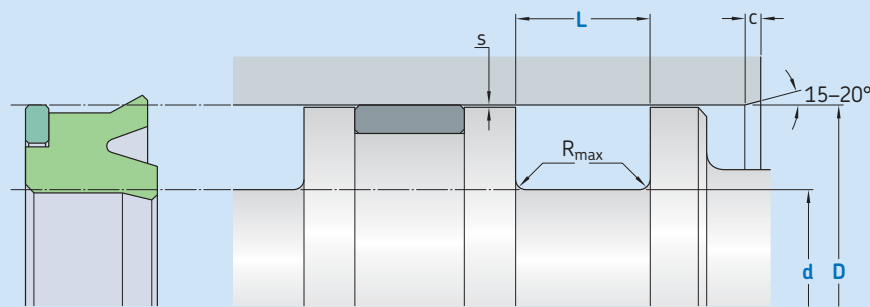


# K02-R



Ordering dimensions in **blue**

Surface roughness	$R_{tmax}$	$R_a$
<b>Sliding surface</b>	$\leq 2,5 \mu m$	$0,05-0,2 \mu m$
<b>Bottom of groove</b>	$\leq 6,3 \mu m$	$\leq 1,6 \mu m$
<b>Groove face</b>	$\leq 15 \mu m$	$\leq 3 \mu m$

Bearing area: 50–95% and a cutting depth of  $0,5 R_z$ , based on  $C_{ref} = 0\%$

Standard dimensions						Maximal radial extrusion gap		
D	d	L	$R_{max}$	c	$s^*$	20 bar	100 bar	250 bar
H9	h10	+ 0,2						
over	incl.							
mm						mm		
<b>13</b>	<b>25</b>	D – 8	6,0	0,4	3,5	0,80	0,80	0,52
<b>25</b>	<b>50</b>	D – 10	7,0	0,4	4,0	1,00	1,00	0,66
<b>50</b>	<b>75</b>	D – 12	8,0	0,4	4,5	1,25	1,20	0,72
<b>75</b>	<b>150</b>	D – 15	10,0	0,4	5,0	1,50	1,40	0,78
<b>150</b>	<b>300</b>	D – 20	12,0	0,4	6,0	2,00	1,66	0,88
<b>300</b>	<b>500</b>	D – 25	18,0	0,4	8,5	2,50	1,91	1,00
<b>500</b>	<b>750</b>	D – 30	20,0	0,4	10,0	3,00	2,18	1,13
<b>750</b>		D – 40	26,0	0,4	13,0	3,00	2,18	1,13

\* Extrusion gap values shown above are valid for a temperature of 70 °C, higher temperatures require lower values.

## Ordering example

Profile  
D x d x L [mm]  
Sealing material / Backup ring

Piston seal K02-R  
**100 x 85 x 10**  
SKF Ecorubber-1 / SKF Ecotal

## Operating parameters

Material Seal	Back-up ring	Temperature		Speed <sup>1)</sup> max	Pressure <sup>2)</sup> max
		from	to		
		°C		m/s	bar (MPa)
■ SKF Ecoflas	■ SKF Ecopaek	-10	+200		
■ SKF Ecorubber-H	■ SKF Ecotal <sup>3)</sup>	-25	+100	0,5	250 (25)
	■ SKF Ecomid <sup>3)</sup>				
	■ SKF Ecoflon 2		+150		
■ SKF Ecorubber-1	■ SKF Ecotal <sup>3)</sup>	-30	+100	0,5	250 (25)
	■ SKF Ecomid <sup>3)</sup>				
■ SKF Ecorubber-2	■ SKF Ecoflon 2	-20	+200		
■ SKF Ecorubber-3	■ SKF Ecotal <sup>3)</sup>	-40	+100	0,5	250 (25)
	■ SKF Ecomid <sup>3)</sup>				
	■ SKF Ecoflon 2	-50	+150		

IMPORTANT NOTE: The stated operating conditions represent general indications. It is recommended not to use all maximum values simultaneously.

<sup>1)</sup> Surface speed limit values are valid only in the presence of a lubrication film.

<sup>2)</sup> Pressure ratings depend on the size of the extrusion gap.

<sup>3)</sup> D ≤ 260 mm → SKF Ecotal, D > 260 mm → SKF Ecomid.