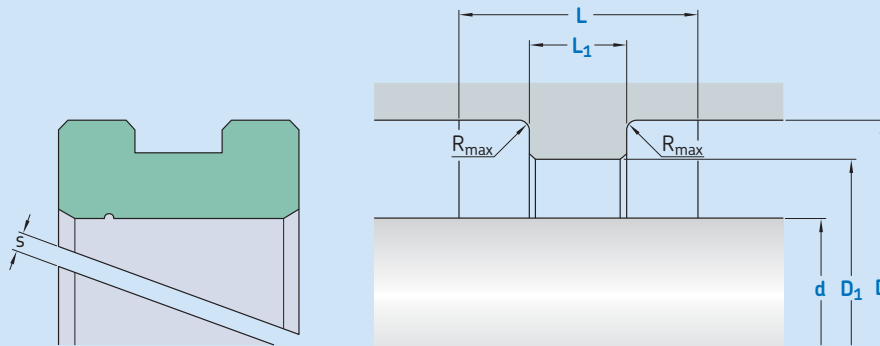


F08



Ordering dimensions in **blue**

Sealing material Surface roughness	TPU / Elastomers		PTFE	
	R_{tmax}	R_a	R_{tmax}	R_a
	m m		m m	
Sliding surface	≤ 2,5	0,05–0,3	≤ 2	0,05–0,2
Bottom of groove	≤ 6,3	≤ 1,6	≤ 6,3	≤ 1,6
Groove face	≤ 15	≤ 3	≤ 15	≤ 3

Bearing area: 50–95% and a cutting depth of 0,5 R_z based on $C_{ref} = 0\%$

Standard dimensions

Minimum nominal inside diameter
 $d \geq 22$ mm.

Depending on the application, the geometry of the guide element should be adapted to the type of application (please refer to the profile description – Seal housing). Because uncut versions would be pointless for assembly reasons, rotating applications should be avoided. Standard version with cutting gap $s > 0$ do not allow a supporting function. For a supporting function a cutting gap of $s = 0$ and a spiral groove is provided. Cutting gap $s \rightarrow$ values depend on material and temperature. For detailed information please refer to the profile description.

Ordering example

Profile
 $D \times d/d_1 \times L/L_1$ [mm]
Guiding material

Guide ring F08
100 x 109/103,5 x 15/5
SKF Ecotal

Operating parameters

Material Guiding	Temperature		Speed ¹⁾	Specific load ²⁾
	from	to	max	
–	°C		m/s	N/mm ²
■ SKF Ecoflon 2	–200	+200	4	3,0
■ SKF Ecoflon 3	–200	+200	5	4,5
■ SKF Ecomid ³⁾	–40	+100	4	25
■ SKF Ecotal ³⁾	–50	+100	4	25

IMPORTANT NOTE: The stated operating conditions represent general indications. It is recommended not to use all maximum values simultaneously.

¹⁾ Surface speed limit values are valid only in the presence of a lubrication film.

²⁾ Depending on temperature and allowed compression. Detailed information see profile description.

³⁾ D ≤ 260 mm → SKF Ecotal, D > 260 mm → SKF Ecomid.