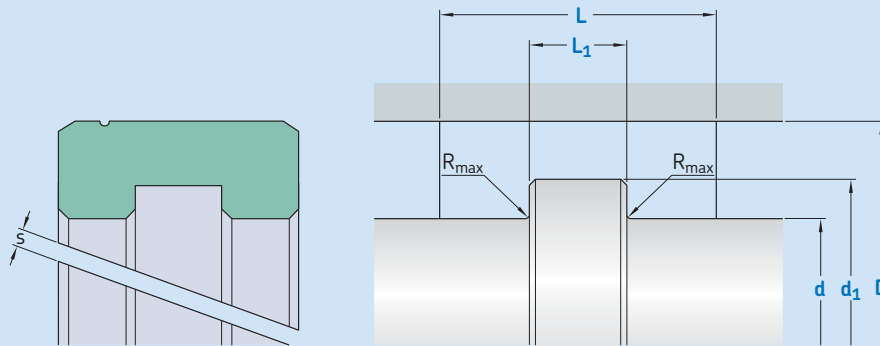


# F07



Ordering dimensions in **blue**

Sealing material Surface roughness	TPU / Elastomers		PTFE	
	$R_{tmax}$	$R_a$	$R_{tmax}$	$R_a$
	m m		m m	
<b>Sliding surface</b>	≤ 2,5	0,05–0,3	≤ 2	0,05–0,2
<b>Bottom of groove</b>	≤ 6,3	≤ 1,6	≤ 6,3	≤ 1,6
<b>Groove face</b>	≤ 15	≤ 3	≤ 15	≤ 3

Bearing area: 50–95% and a cutting depth of 0,5  $R_z$  based on  $C_{ref} = 0\%$

### Standard dimensions

Minimum nominal inside diameter  
 $d \geq 22$  mm.

Depending on the application, the geometry of the guide element should be adapted to the type of application (please refer to the profile description – Seal housing). Because uncut versions would be pointless for assembly reasons, rotating applications should be avoided. Standard version with cutting gap  $s > 0$  do not allow a supporting function. For a supporting function a cutting gap of  $s = 0$  and a spiral groove is provided. Cutting gap  $s \rightarrow$  values depend on material and temperature. For detailed information please refer to the profile description.

### Ordering example

Profile  
 $D \times d/d_1 \times L/L_1$  [mm]  
Guiding material

**Guide ring F07**  
**100 x 91/96,5 x 15/5**  
**SKF Ecotal**

## Operating parameters

Material Guiding	Temperature		Speed <sup>1)</sup>	Specific load <sup>2)</sup>
	from	to	max	
–	°C		m/s	N/mm <sup>2</sup>
■ SKF Ecoflon 2	–200	+200	4	3,0
■ SKF Ecoflon 3	–40	+100	5	4,5
■ SKF Ecomid <sup>3)</sup>	–50		4	25
■ SKF Ecotal <sup>3)</sup>				

IMPORTANT NOTE: The stated operating conditions represent general indications. It is recommended not to use all maximum values simultaneously.

<sup>1)</sup> Surface speed limit values are valid only in the presence of a lubrication film.

<sup>2)</sup> Depending on temperature and allowed compression. Detailed information see profile description.

<sup>3)</sup> D ≤ 260 mm → SKF Ecotal, D > 260 mm → SKF Ecomid.