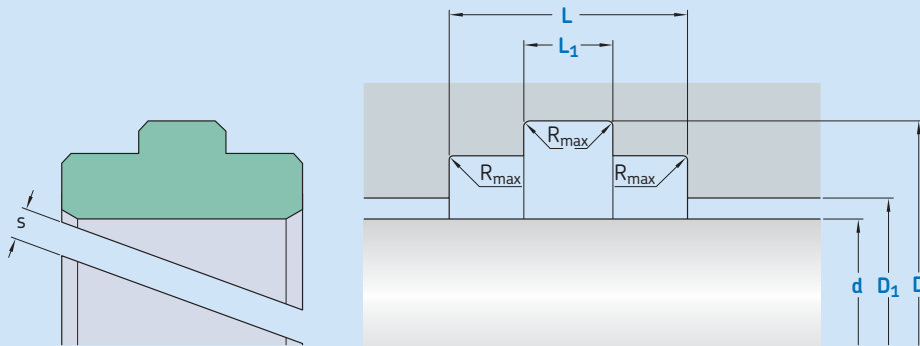


F06



Ordering dimensions in **blue**

Sealing material Surface roughness	TPU / Elastomers		PTFE	
	R_{tmax}	R_a	R_{tmax}	R_a
	m m		m m	
Sliding surface	≤ 2,5	0,05–0,3	≤ 2	0,05–0,2
Bottom of groove	≤ 6,3	≤ 1,6	≤ 6,3	≤ 1,6
Groove face	≤ 15	≤ 3	≤ 15	≤ 3

Bearing area: 50–95% and a cutting depth of 0,5 R_z based on $C_{ref} = 0\%$

Standard dimensions		D	D ₁	D ₂	L	L ₁
d	f8	H10	H8		+ 0,2	+ 0,2
over	incl.					
mm						
5	36	d + 6	d + 2,8	d + 0,35	8,5	3
36	60	d + 7,5	d + 3,2	d + 0,4	10,5	3,5
60	90	d + 9	d + 3,5	d + 0,5	15	5
90	150	d + 9	d + 3,5	d + 0,6	15	5
150	200	d + 16	d + 7,1	d + 0,7	20,3	8
200		d + 17	d + 7,5	d + 0,8	25	8

* Cutting gap s → values depend on material and temperature. For detailed information please refer to the profile description.

Ordering example

Profile
d x D/D₁ x L/L₁ [mm]
Guiding material

Guide ring F06
100 x 109/103,5 x 15/5
SKF Ecotal

Operating parameters

Material Guiding	Temperature		Speed ¹⁾	Specific load ²⁾
	from	to	max	
–	°C		m/s	N/mm ²
■ SKF Ecoflon 2	–200	+200	4	3,0
■ SKF Ecoflon 3			5	4,5
■ SKF Ecomid ³⁾	–40	+100	4	25
■ SKF Ecotal ³⁾	–50			

IMPORTANT NOTE: The stated operating conditions represent general indications. It is recommended not to use all maximum values simultaneously.

¹⁾ Surface speed limit values are valid only in the presence of a lubrication film.

²⁾ Depending on temperature and allowed compression. Detailed information see profile description.

³⁾ D ≤ 260 mm → SKF Ecotal, D > 260 mm → SKF Ecomid.